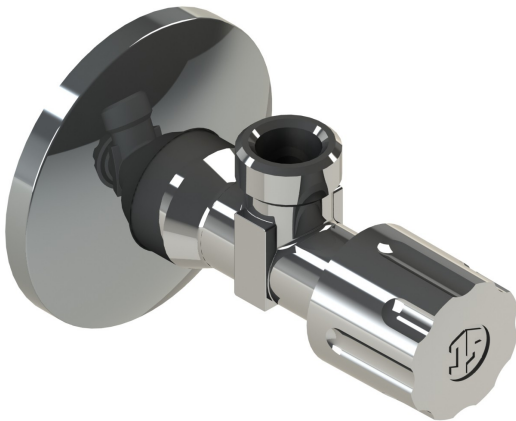


Technical Data Sheet

Description: Angle-valves, without self-sealing connection thread, bass chrome-plated, with extension and push-rosette, 3/8" x 1/2"

Ref. No.: 00 7106 1550 001



Technical Data

Mediums: to be used for potable water and other neutral liquids

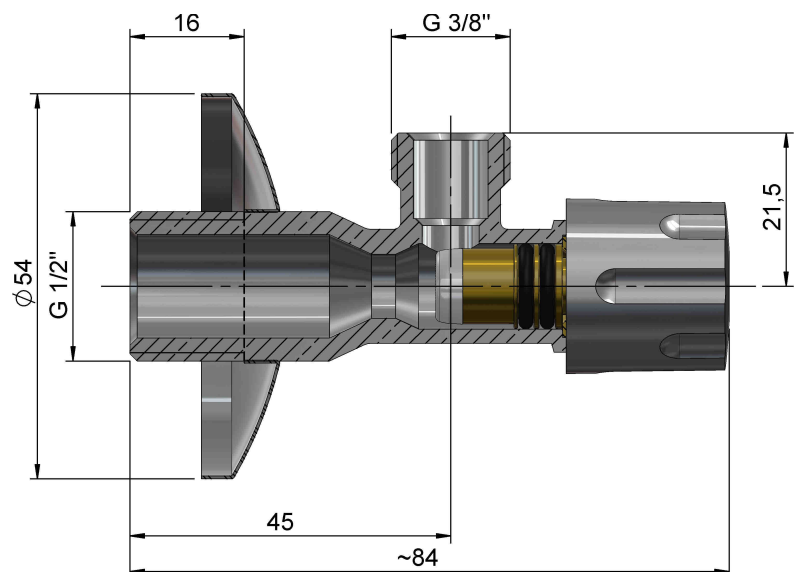
Temperature: min. 5°C / max. 90°C

Operating pressure: max. 10 bar (PN 10)

Thread: ISO 228 part 1 (G-thread)

Surface: chrome-plated

Materials: housing: brass
housing cover: brass
conical seal: POM
housing cover seal: EPDM



Stand: February 2016
Subject to technical change